

**Product Name:** Compact 2''  
**Product Code:** M 200 92  
**Model No:** 11020092

### Product Specification / Ürün Özellikleri

Compact 2''

**Installation Type :** Recessed

**Body and Heatsink :** Aluminium Injection Body and Heatsink

**Diffuser Options :** Opal Polystyren / Opal PMMA (Fire-Proof) / Microprismatic (3D)

**Body Color :** Electrostatic Powder Coating

**Led Brands :** Osram

**Driver Brands :** Tridonic / Eaglerise

**Protection Type :** IP44 / IP65

**Hole Size :** Ø70

**Dimming Options :** Phase-Cut / 1-10 V / DALI

**Product Dimensions :** H:50mm W:84mm

Compact 2''

**Montaj Tipi :** Sıva Altı

**Gövde ve Soğutucu :** Alüminyum Enjeksiyon Gövde ve Soğutucu

**Difüzör Çeşitler :** Opal Polisitren / Opal PMMA (Alev Almaz) / Mikroprizmatik (3B)

**Gövde Rengi :** Elektrostatik Toz Boya

**Led Markaları :** Osram

**Sürücü Markaları :** Tridonic / Eaglerise

**Koruma Sınıfı :** IP44 / IP65

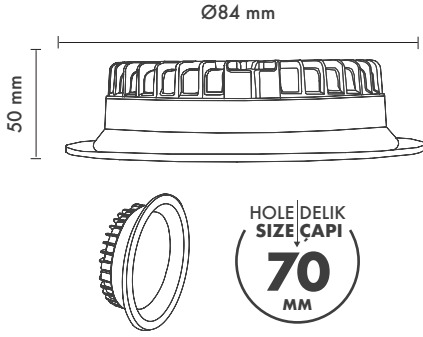
**Delik Çapı :** Ø70

**Dim Opsiyonları :** Triak / 1-10 V / DALI

**Ürün Ölçüleri :** Y:50mm G:84mm

	3000K Lumen	4000K Lumen	5000K Lumen	mA	Watt	CRI
Osram	540 lm	570 lm	600 lm	350	6 Watt	>85

## Technical Informations / Tekniksel Bilgiler



Available Finishes  
Uygulama Renkleri



Textured White Ral 9016



Textured Black Ral 9005



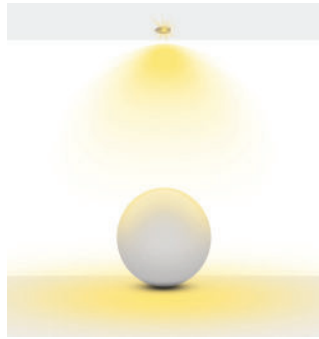
Textured Grey Ral 9006



\*Please check datasheet for more finishes.

\*Daha fazla renk için lütfen datasheeti inceleyiniz.

## Beam Informations/ Açısal Bilgiler

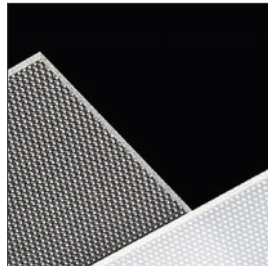


105°

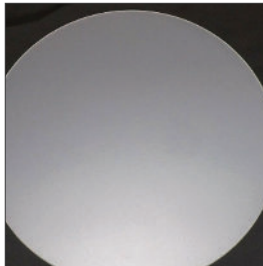
## Additional / Ek Bilgiler



**Product Name :**  
1-3 Hours Emergency Battery  
(Tridonic / Local Brands)



**Product Name :**  
Microprismatic Diffuser (3D)



**Product Name :**  
Fire-Proof Diffuser



**Product Name :**  
Urth Cable + 3 Pin Connector  
with Urth Protection

